

Verdermag

V-MD 6-40 PP/ETFE



Description

The Verdermag V-MD non-metallic, centrifugal mag-drive pump is designed around providing the most common OEM requirements for optimum flow and head characteristics.

Key benefits

- Specializing in leak-free operation and compact sizes
- Excellent for pumping hazardous liquids at low flow rates
- Balanced thrust load with special magnetic coupling
- Seal-less operation and long life
- Low maintenance and operations costs

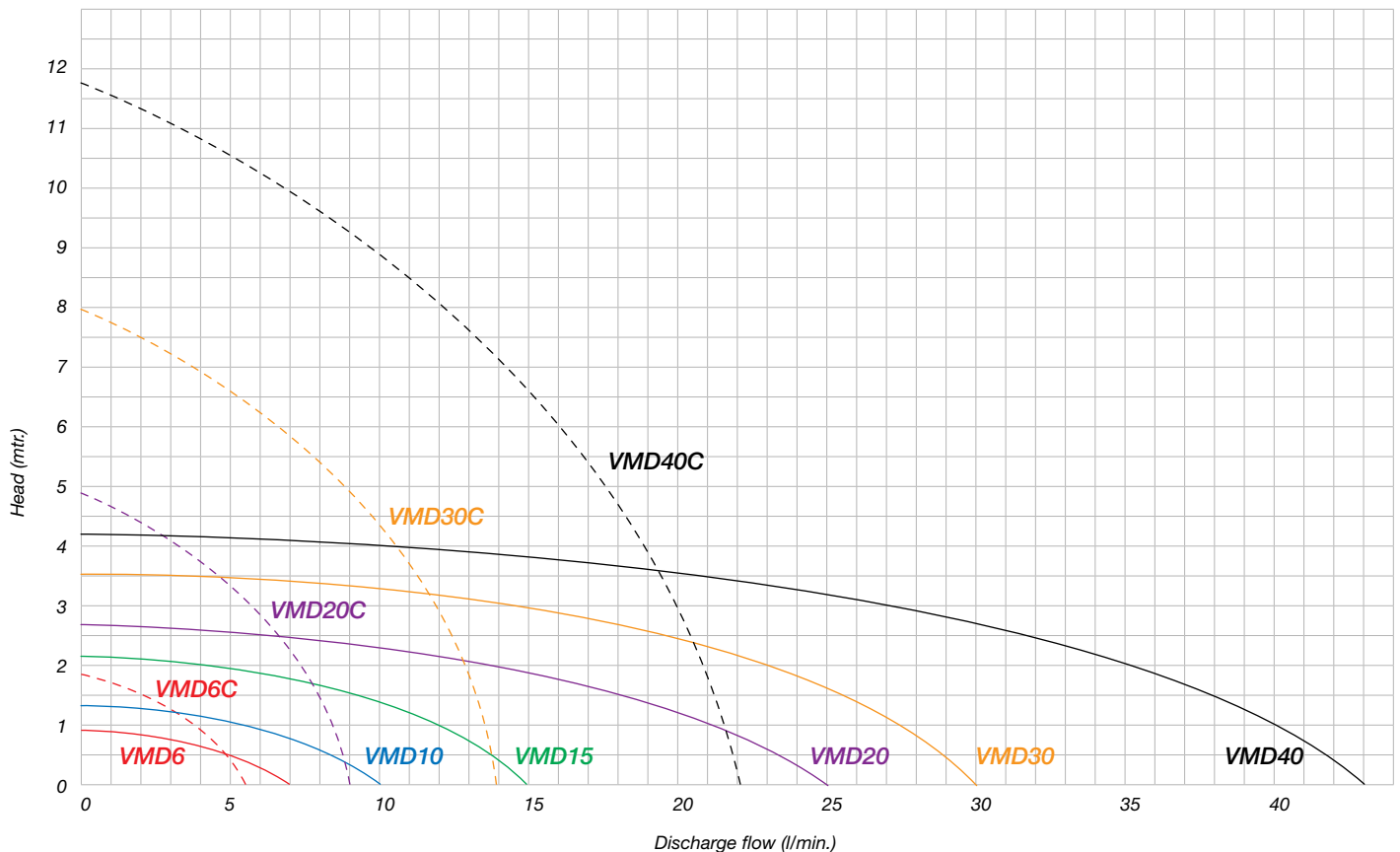
Technical data

Maximum flow range	5.5 to 43 l/min	Maximum specific gravity	1.1 kg/m ³
Maximum head range	0.9 to 11.50m	Maximum system pressure range	0 to 2 bar
Operating temperature PP	60 °C	Maximum allowable viscosity	20 cPs
Operating temperature ETFE	90 °C	Nominal speed	2500 rpm

Motor specifications

Power input	5 to 100 W	Type of motor	Single Phase
Power output	2.5 to 65 W	Insulation type	E
Applicable voltage	200 - 240 V - 50 Hz, 1 ph		

Performance curve 50Hz 0.9m/2.61 l - 4.2m/431 l p/min



Performance data is based on clean water at 20°C with flooded suction.
Magnetic pumps must not be operated with discharge valve closed continuously.

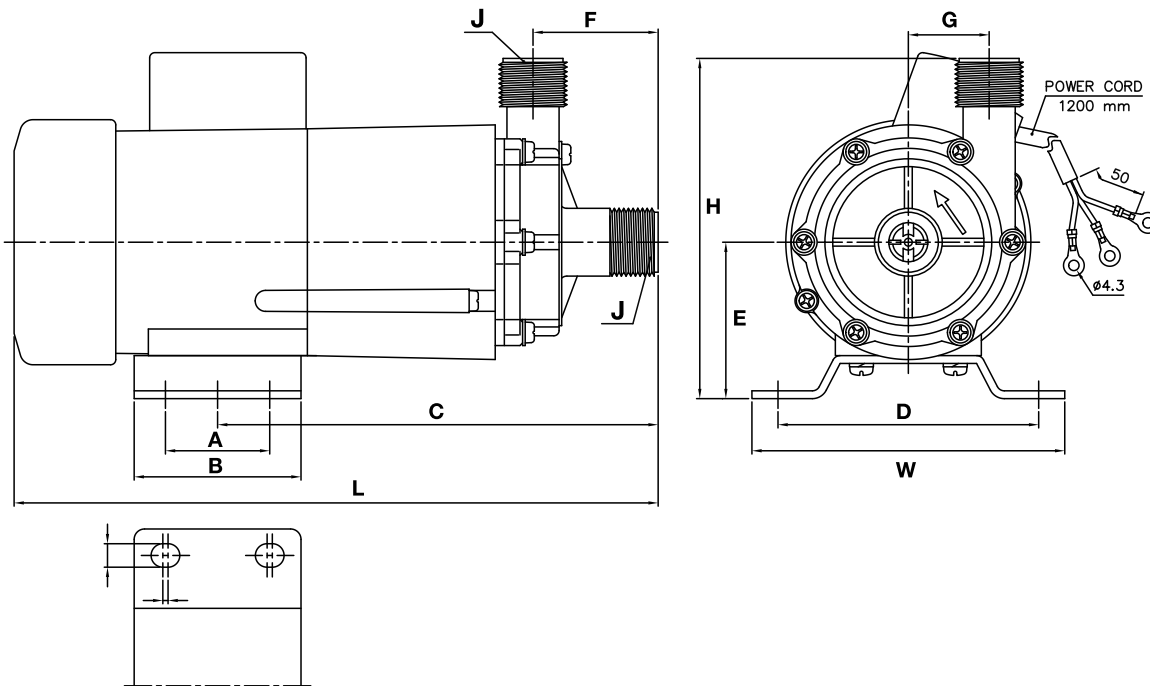


Verdermag

V-MD 6-40 PP/ETFE



Dimensions



Type	W	H	L	A	B	C	D	E	F	G	Hose connections (mm)	Thread (J) Connections (inches)
V-MD 6	74	92	145	-	30	73	60	45	31	17	14	1/2"
V-MD 6C	74	92	145	-	30	73	60	45	31	17	14	1/2"
V-MD 10	74	92	145	-	30	73	60	45	31	17	14	1/2"
V-MD*6C/10	74	110**	104	-	30	65	60	45	24	17	14	1/2"
V-MD 15	95	114	195	-	50	117	85	55	38.5	21.5	14	3/4"
V-MD 20	95	115	210	30	50	131.5	68	55	38.5	28.5	18	3/4"
V-MD 30	120	130	245	40	64	169	100	60	48	31	20	3/4"
V-MD 40	120	130	260	40	64	169	100	60	48	31	20	3/4"
V-MD 20C	95	125	225	30	50	134	68	55	39.5	38.5	18	3/4"
V-MD 30C	120	130	230	40	64	152	100	60	39.5	38.5	18	3/4"
V-MD 40C	120	130	236	40	64	152	100	60	40	38.5	18	3/4"

Above drawing is for general purposes only. Pump specific drawings are available on request.

VM_V-MD 6-40 PP/ETFE_Technosheet_rev01_2017_(eu)

VERDERMAG®



Find your local supplier at www.verderliquids.com

For construction, installation and floor mounting drawings please contact your local authorised Verdermag® distributor.

VERDER
passion for pumps